

mark soffit height on wall before brick installation

brick tie

brick tie spacing at least every 16" up wall studs

brick tie nail penetration at least 1-1/4" into wall studs

breathable waterproof building wrap

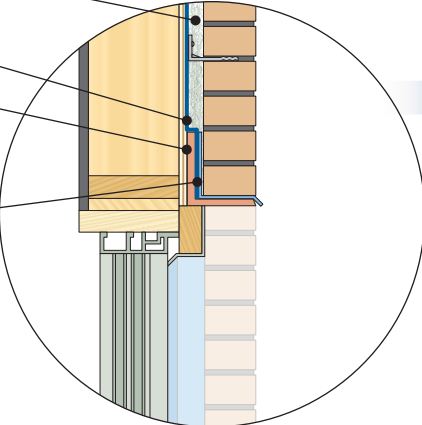
non-woven ventilation and drainage layer

BRICK VENEER WALL AT ROOF

building wrap overlaps steel lintel

steel lintel

flashing over lintel and under bricks and lapped underneath building wrap

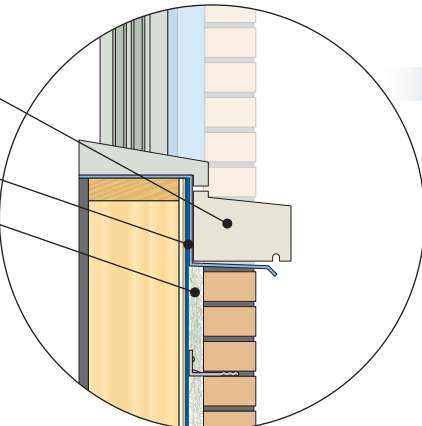


BRICK VENEER WALL AT WINDOW/DOOR TOP

cast window sill

flashing extends under cast window sill and under window

1" air space



BRICK VENEER WALL AT WINDOW SILL

stud frame wall

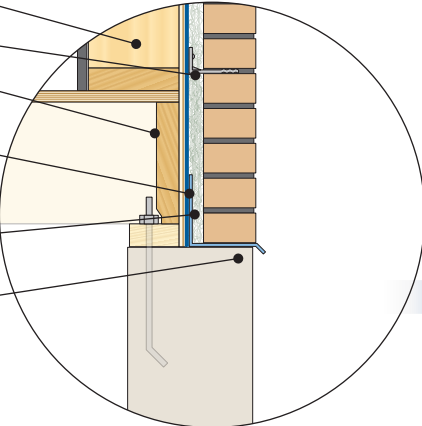
brick tie

rim joist

base flashing either flexible synthetic or bent copper

bottom of air space free of mortar and open to weep holes

brick at least 6" above grade



BRICK VENEER WALL AT FOUNDATION

