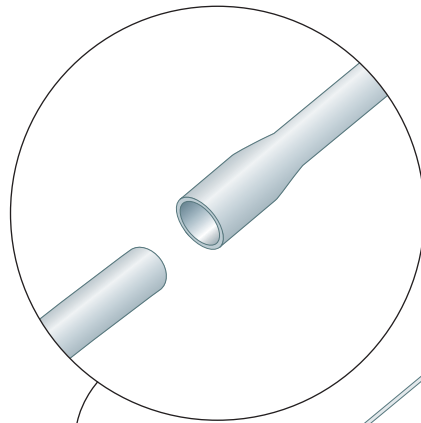
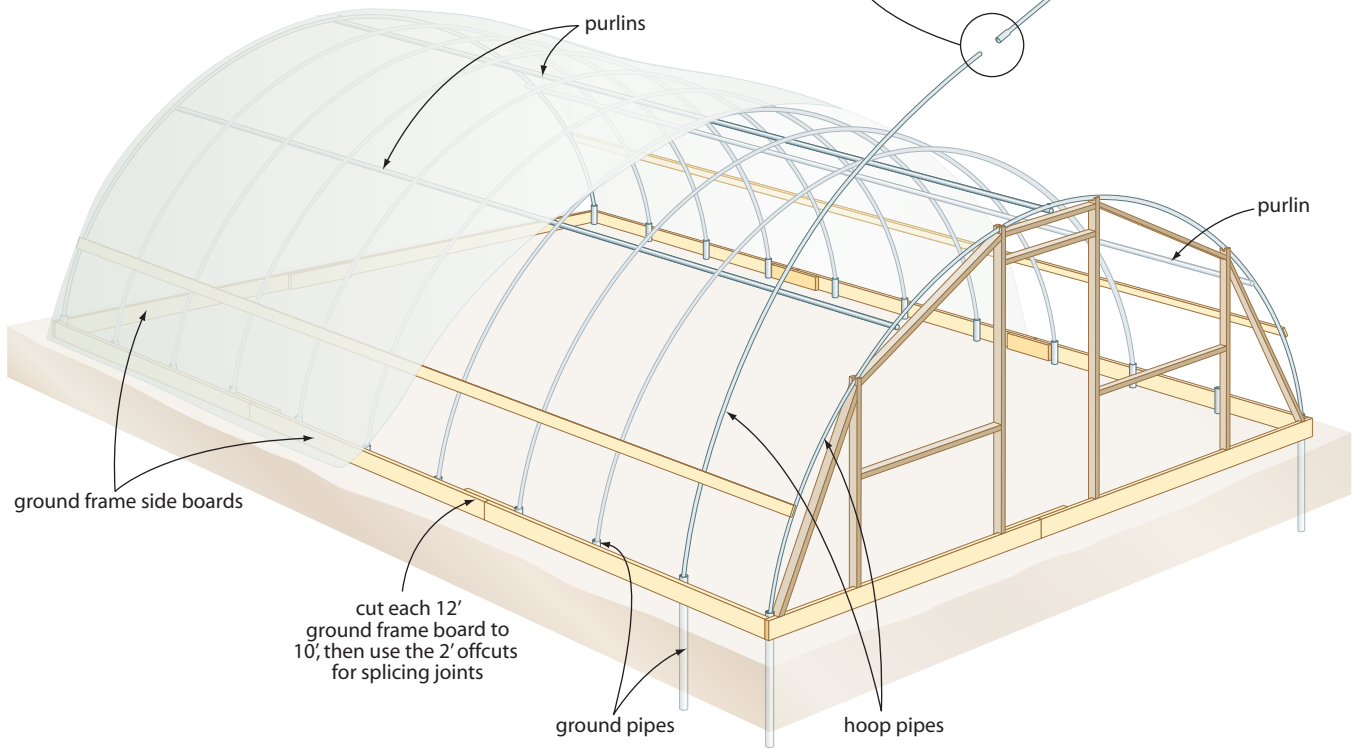


1/4" x 5"
carriage
bolt

PURLIN/HOOP DETAIL



HOOP PIPE CONNECTION
DETAIL



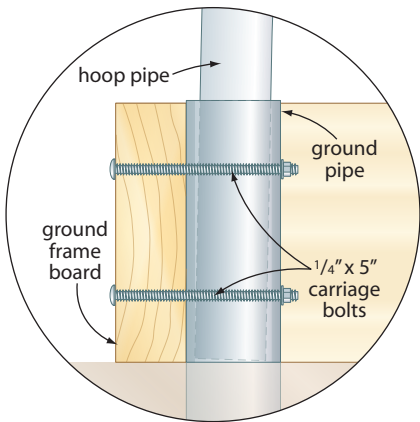
ground frame side boards

cut each 12'
ground frame board to
10', then use the 2' offcuts
for splicing joints

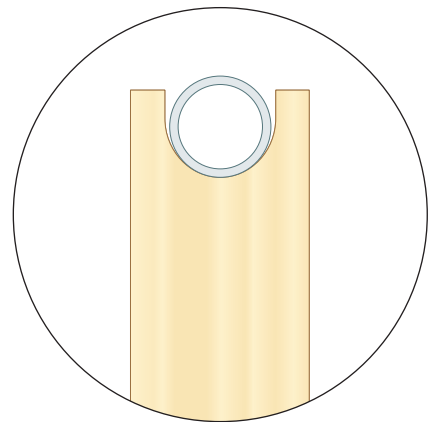
ground pipes

hoop pipes

purlin



GROUND PIPE/GROUND FRAME DETAIL



END WALL/HOOP PIPE DETAIL